

*“TriLuxx REMiX V2 is the upgraded version of the original REMiX. It is the world’s first power LED color changing MR16 that is truly right size and form factor, plus more new features!”*

TriLuxx RemiX V2 series RGB color changing MR16 is designed to fit into standard, low voltage, MR16 fixtures and sockets, and project a 15° or 35° well-defined, full color, spot light. It is well suited for tracks, rails, cables and pendants in bar or disco, pub, restaurant, theater and amusement park applications.

This amazing stand alone RGB MR16 produces a full range of controllable colors and effects in a single bulb. It has a remote control for 5 color changing modes: Smooth color change, Fast color change, 7 different colors, white strobe and color flash. Each remote control can control up to 8 bulbs simultaneously, up to 10 meters away. Added new features are color change speed control, individual color brightness control, pause, last mode memory.

The TriLuxx RemiX V2 series utilizes color control technology specifically developed for mixing the color of power LED devices. The aluminum casing uniquely allows heat to dissipate properly; making the product thermally stable for long hours of operation.

TriLuxx RemiX V2 series MR16 is equipped with optical grade acrylic lens that allows highest light transmission at 15° or 35° beam angle.



### Features

- Light source: 3.5W RGB power LED
- Source life: More than 40,000 hours
- Low heat, no UV or IR light radiation
- 5 preset color change effects
- **New** - 16 million colors
- **New** - Color change speed control
- **New** - Individual color brightness control
- **New** - Last mode/color memory
- **New** - Pause function
- Optimized heat sink with the right looks
- Reverse polarity and overheat protection
- Safety Standard: CE
- Works with all 12V AC/DC lighting systems

### Typical Applications

- Bar/Restaurant/Disco Lighting
- Mood Lighting
- Theater Lighting
- Amusement Park Accent



## PRODUCT SPECIFICATIONS

<b>LIGHT SOURCE</b>	1X3.5W power RGB LED
<b>OPTICS</b>	Optical grade PMMA collimator
<b>LENS DIAMETER</b>	33 mm
<b>BEAM ANGLE</b>	15° (Narrow Spot) or 35° (Wide Angle Spot)
<b>NUMBER OF EFFECTS</b>	5
<b>NUMBER OF COLORS</b>	16 millions
<b>REMOTE CONTROL DISTANCE</b>	10 meter max
<b>TOTAL LENGTH</b>	48.8 mm (including pins)
<b>WEIGHT</b>	30g (lamp only)
<b>HOUSING</b>	Molded aluminum with frosted silver finish, 5 cm (2") diameter
<b>BASE</b>	Gx5.3 pins
<b>SYNCHRONIZABILITY</b>	Non-synchronizable
<b>DIMMERBILITY</b>	Dimmerble by remote controller

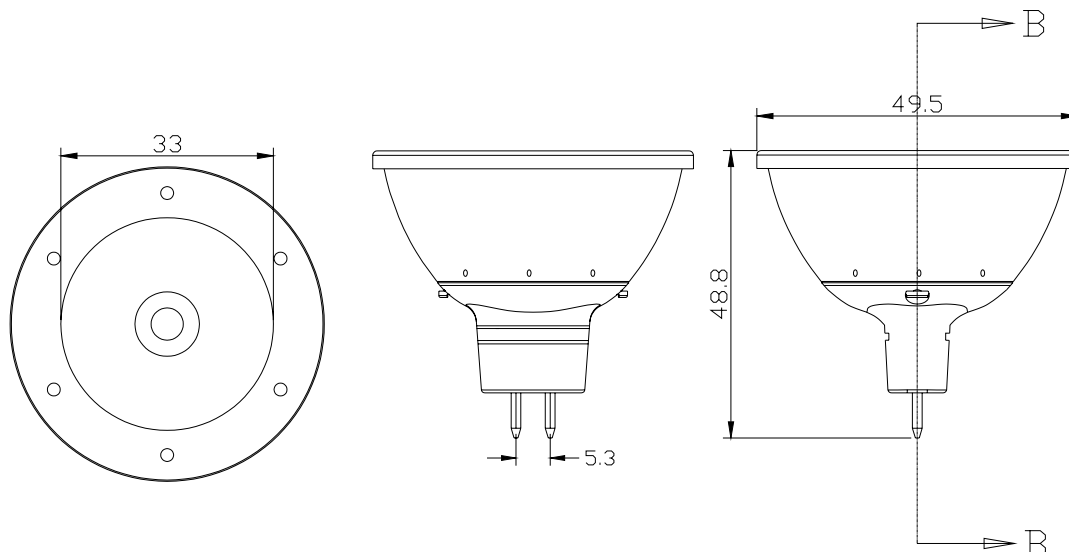
## ENVIRONMENTAL SPECIFICATIONS

<b>TEMPERATURE RANGE</b>	Ambient: -20°C to 40°C; Surface of Lamp: 40°C to 50°
<b>HUMIDITY RANGE</b>	0 to 95% non-condensing humidity

## ELECTRICAL SPECIFICATIONS

<b>VOLTAGE REQUIREMENT</b>	12V AC/DC
<b>LAMP POWER CONSUMPTION</b>	5W
<b>TRANSFORMER</b>	Low voltage magnetic or switching power supply to provide 12V AC or 12V DC

## PRODUCT DIMENSIONS (mm)



**PRODUCT ORDERING CODE**

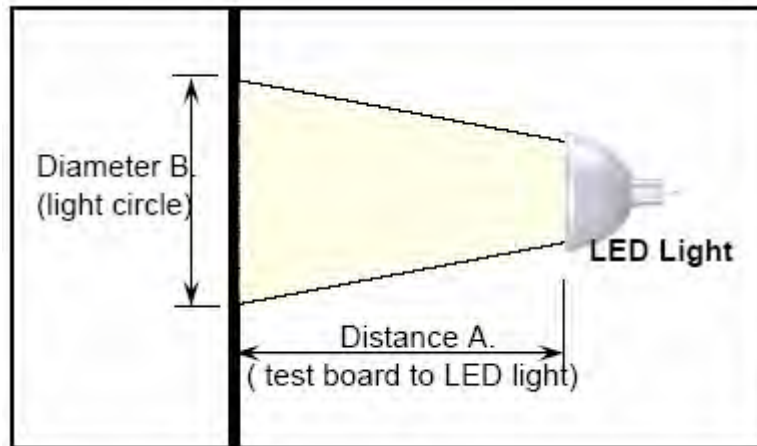
Color	Typ. Wavelength (nm)	Operating Voltage (V)	LED Power (W)	Typ. Luminous Flux (lm)	Illuminance@ 1m (Lux)	BEAM ANGLE
Red	625 nm	12V AC/DC	3.5W	30 lm	140 Lux	15° ±2°
Blue	470 nm			10 lm	55 Lux	
Green	530 nm			30 lm	80 Lux	
Red	625 nm	12V AC/DC	3.5W	30 lm	140 Lux	35° ±2°
Blue	470 nm			10 lm	55 Lux	
Green	530 nm			30 lm	80 Lux	

**Typical Electrical Characteristics at T<sub>a</sub>=25°C**

Parameter	Symbol	Min	Typ	Max	Unit
Input Voltage (AC)	V <sub>AC</sub>	10	12	14	V
Input Voltage (DC)	V <sub>DC</sub>	9	12	14	V
LED Forward Current per Color	I <sub>F</sub>	—	350	—	mA
Estimated Life <sup>[6]</sup>		—	40,000	—	Hours
Optimized Body Temperature (3.5W LED)	T	—	45	50	°C

**Note: Lamp is optimized for 12V DC input voltage**

Illumination Characteristics ( $T_a=25^\circ\text{C}$ )



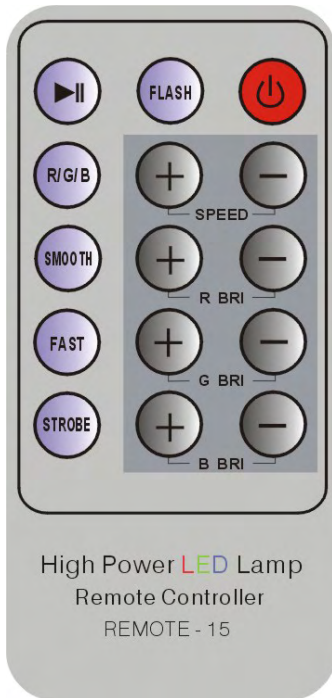
For Narrow Spot Model ( $15^\circ$  view angle)

Distance		Typical Illuminance Measure at the Center of Beam (Lux)						
Dist A (cm)	Dia. B (cm)	White	Purple	Cyan	Blue	Green	Amber	Red
30	25	1500	1400	920	490	710	1600	1400
50	40	535	480	350	195	280	550	500
100	90	150	130	100	55	80	160	140

For Wide Spot Model ( $35^\circ$  view angle)

Distance		Typical Illuminance Measure at the Center of Beam (Lux)						
Dist A (cm)	Dia. B (cm)	White	Purple	Cyan	Blue	Green	Amber	Red
30	25	1500	1400	920	490	710	1600	1400
50	40	535	480	350	195	280	550	500
100	90	150	130	100	55	80	160	140

Remote Controller Functions



Button	Function
	Turn on or off the lamp or to recall last mode/color
	Pause the SMOOTH or FAST color change
	Manually change all 7 colors.
	Smooth color change mode
	Rapid color change mode
	White fast strobe mode
	Any color slow flashing mode [R/G/B + FLASH]
	Speed control of the STROBE or FLASH mode
	Brightness control for red color
	Brightness control for green color
	Brightness control for blue color
<b>Notes:</b>	
1) To turn ON the spotlight, just press the button of any desire mode.	
2) The ON/OFF button is also a last mode/color recall button.	